

Drop-In Drop-in refrigerated well, static (6 GN container capacity)

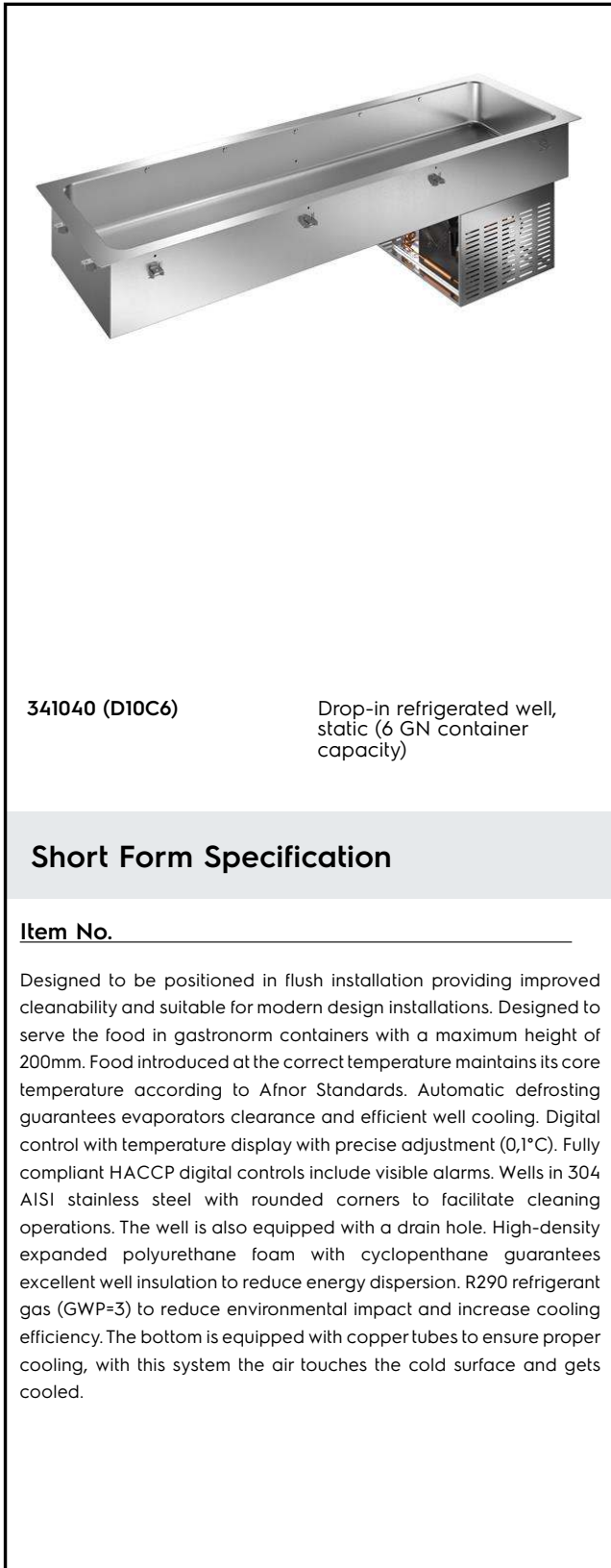
ITEM # _____

MODEL # _____

NAME # _____

SIS # _____

AIA # _____


341040 (D10C6)

 Drop-in refrigerated well,
 static (6 GN container
 capacity)

Short Form Specification

Item No. _____

Designed to be positioned in flush installation providing improved cleanability and suitable for modern design installations. Designed to serve the food in gastronorm containers with a maximum height of 200mm. Food introduced at the correct temperature maintains its core temperature according to Afnor Standards. Automatic defrosting guarantees evaporators clearance and efficient well cooling. Digital control with temperature display with precise adjustment (0,1°C). Fully compliant HACCP digital controls include visible alarms. Wells in 304 AISI stainless steel with rounded corners to facilitate cleaning operations. The well is also equipped with a drain hole. High-density expanded polyurethane foam with cyclopentane guarantees excellent well insulation to reduce energy dispersion. R290 refrigerant gas (GWP=3) to reduce environmental impact and increase cooling efficiency. The bottom is equipped with copper tubes to ensure proper cooling, with this system the air touches the cold surface and gets cooled.

Main Features

- CB and CE certified by a third party notified body.
- Designed to be positioned in flush installation providing improved cleanability and suitable for modern design installations.
- Designed to serve the food in gastronorm containers.
- Suitable for GN 1/1 containers with a maximum height of 200 mm.
- Precise temperature control and setting at 0,1°C .
- As standard the product comes with digitally controlled thermostat which is in line of HACCP norms and provides visual alarm as a warning of the increasing or decreasing temperatures.
- Available drop-in dimensions: 1, 2, 3, 4, 5, 6 GN.
- Food introduced at the correct temperature maintains its core temperature according to Afnor Standards.
- Automatic defrosting guarantees evaporators clearance and efficient well cooling.
- Remote version is available.

Construction

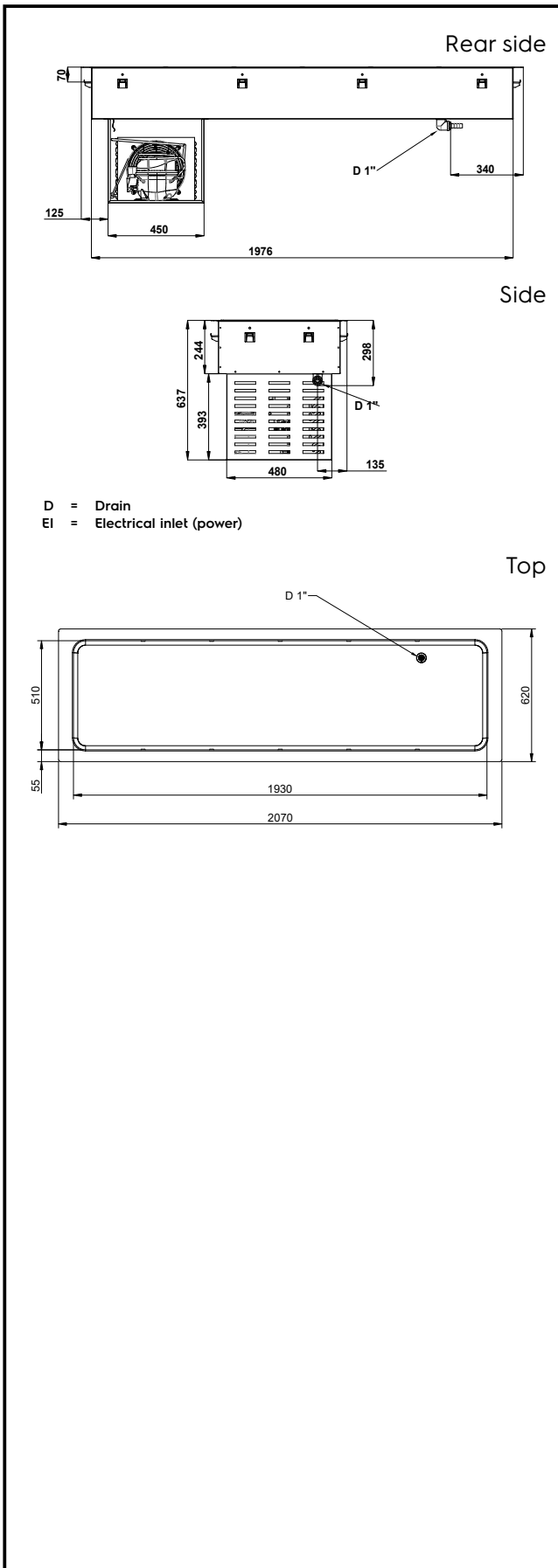
- Well bottom is inclined to facilitate water drainage.
- Well in 304 AISI stainless steel with rounded corners to facilitate cleaning operations. The well is also equipped with a drain hole.
- Electronic control with temperature display.
- IPx2 water protection.
- The bottom is equipped with copper tubes to ensure proper cooling, with this system the air touches the cold surface and gets cooled.

Sustainability



- Hydrocarbon refrigerant gas R290 for the lowest environmental impact (GWP=3) - CFC and HCFC free.
- High-density expanded polyurethane foam with cyclopentane guarantees excellent well insulation to reduce energy dispersion.

APPROVAL: _____



Electric

Supply voltage:
 341040 (D10C6) 220-240 V/1N ph/50 Hz
 Electrical power max.: 0.61 kW

Water:

Water drain outlet size: 1"

Key Information:

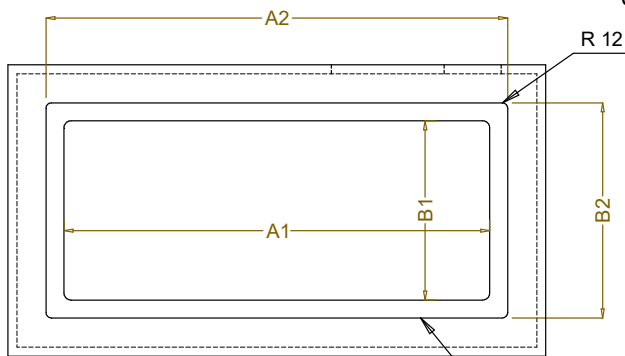
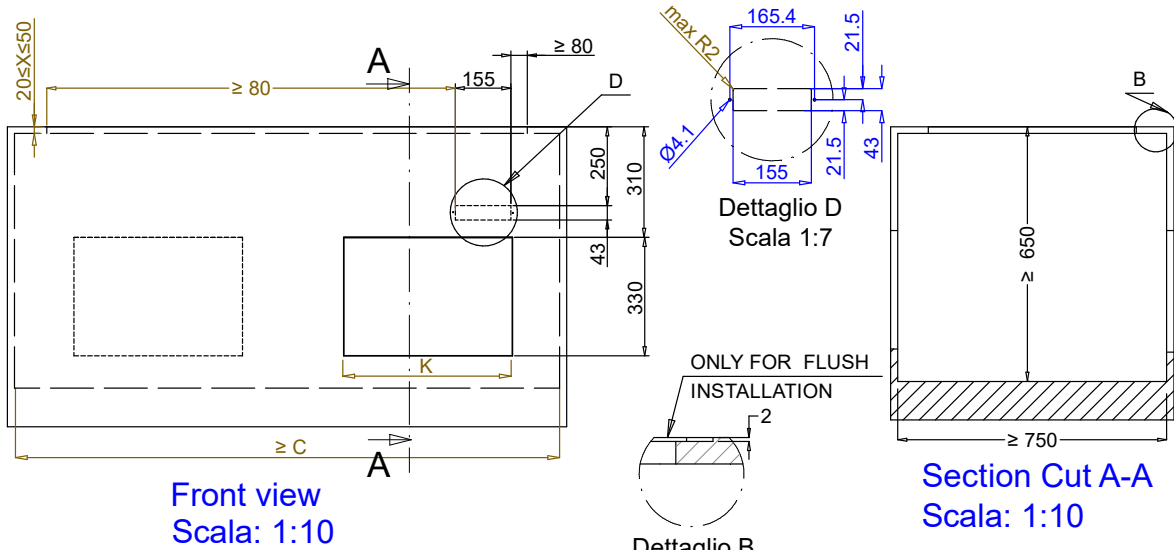
External dimensions, Width: 2070 mm
 External dimensions, Depth: 620 mm
 External dimensions, Height: 595 mm
 Net weight: 69.9 kg
 Shipping weight: 1 kg
 Shipping height: 1 mm
 Shipping width: 1 mm
 Shipping depth: 2150 mm
 Shipping volume:
 Set temperature: -15 / 0 °C

Refrigeration Data

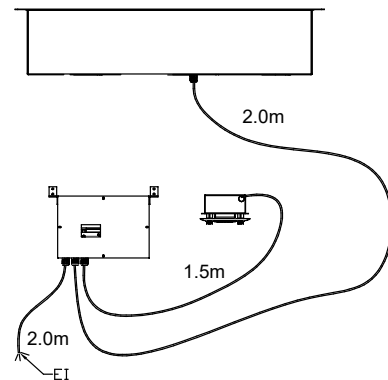
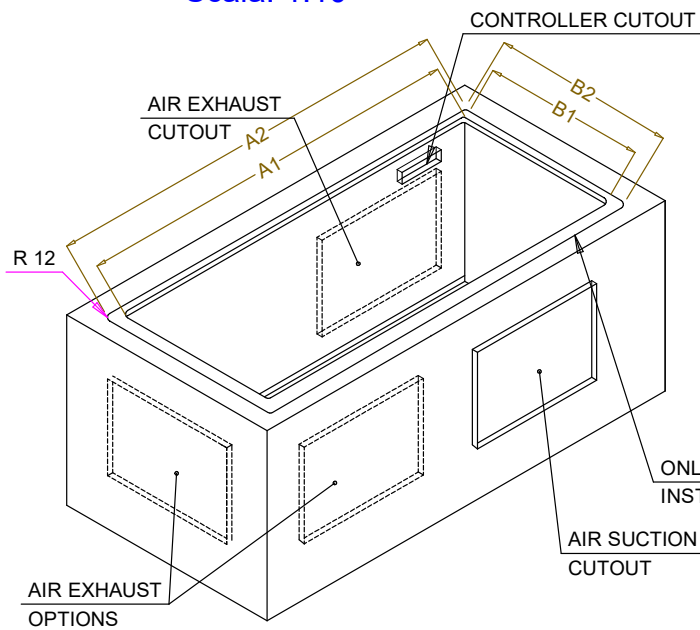
Refrigerant type: R290

Sustainability

Noise level: 56 dBA



CAPACITY	CUTOUT		LOWERING FOR FLUSH INSTALLATION		C	K
	A1	B1	A2	B2		
1GN	380	580	454	624	560	380
2GN	700		774			
3GN	1030		1104			
4GN	1350		1424			
5GN	1670		1744			
6GN	2000		2074			



595T01S00 - COLD STATIC WELL